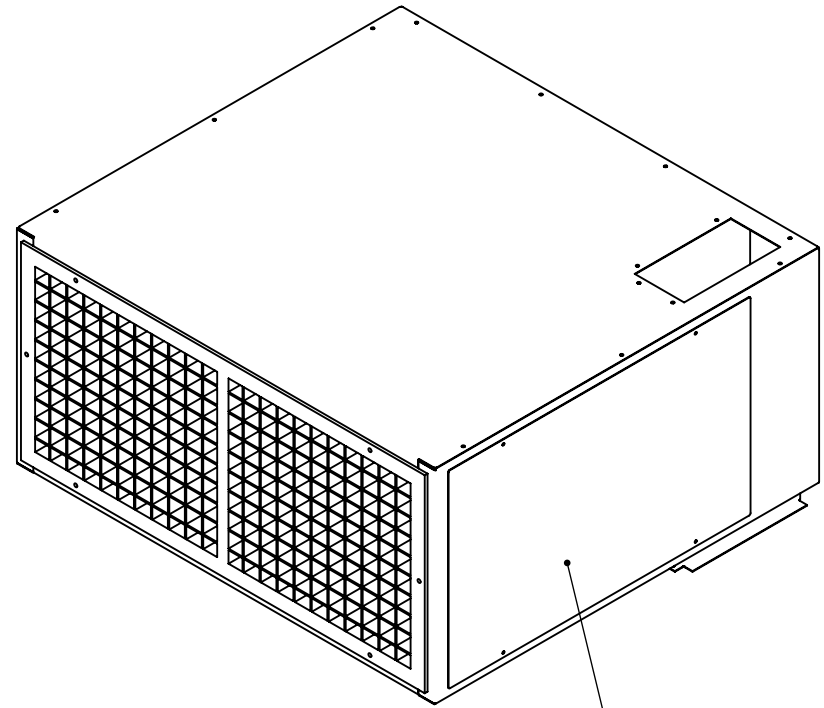
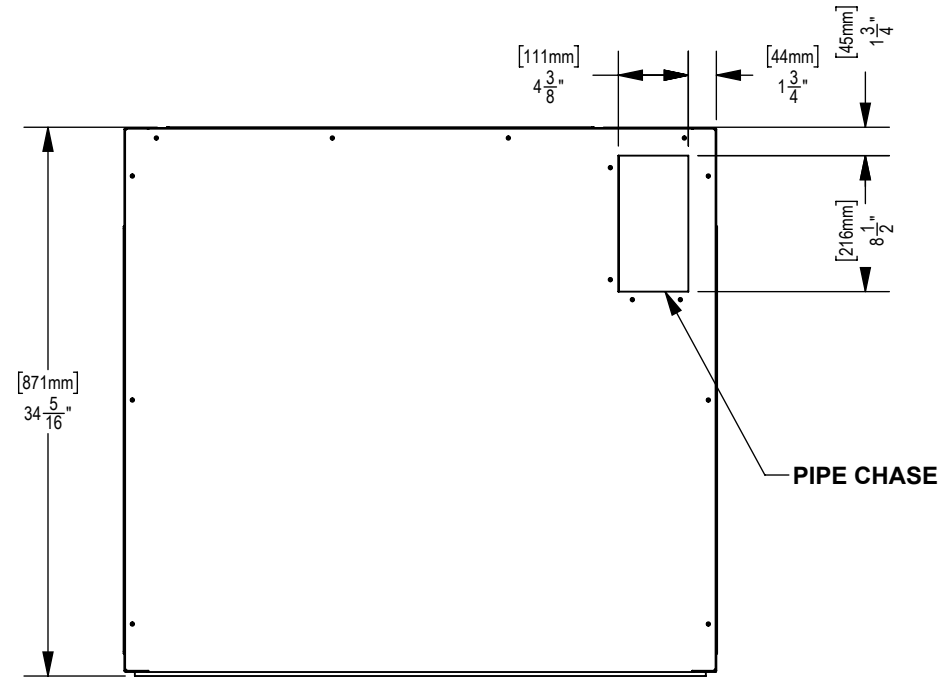


DATE PRINTED: 9/24/2018

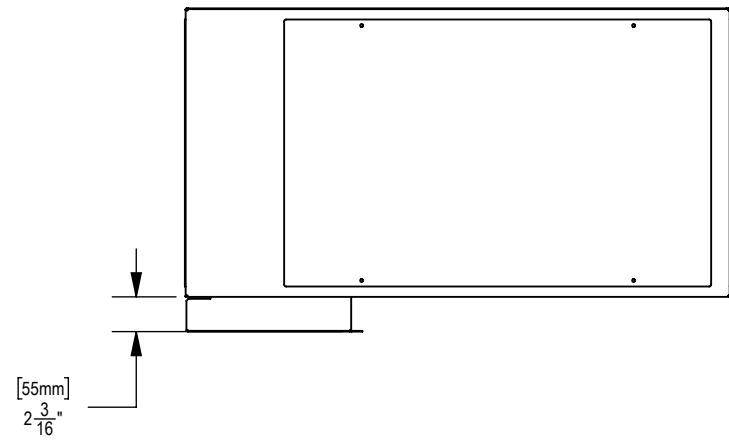
REVISIONS			
REV.	DESCRIPTION	DATE	APPROVED
-	-	-	-
-	-	-	-



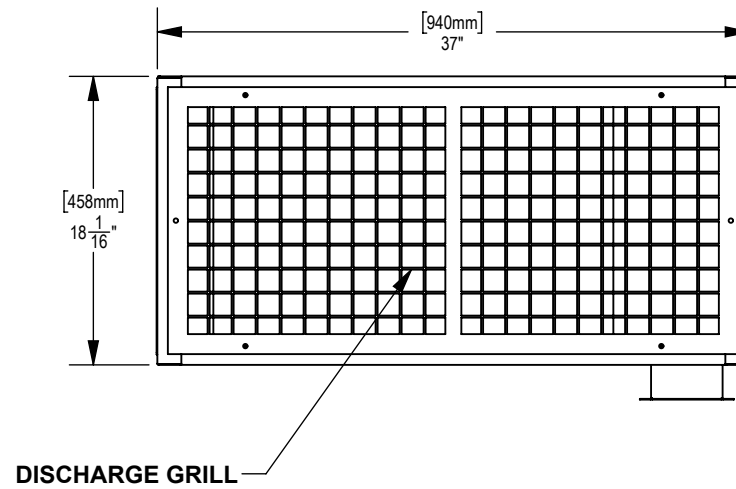
COVER PLATE(S) UNLESS DISCHARGE OPTION CHOSEN



PIPE CHASE



[55mm]
2 3/16"



DISCHARGE GRILL

NOTE:
DISCHARGE: FRONT - STANDARD
OPTIONAL: LEFT, RIGHT & REAR
FOAM INSULATION

NOTES:

UNLESS OTHERWISE SPECIFIED
DIMENSIONS ARE IN INCHES
TOLERANCES:
FRACTIONAL ± 1/8
ANGULAR: ± 0.5° BEND ± 2°
DECIMAL
XXX = ±.010
XX = ±.020
X = ±.030
HOLE DIA. +.003/-0.000

THIRD ANGLE PROJECTION



	BY	DATE
DRAWN	MG	2018-05-31
CHECKED	-	2018-05-31
CNC PROGRAM		
FINISH:	POWDER PAINT	
MATERIAL	N/A	THICKNESS N/A

CLIMATEWORX
MISSION CRITICAL CLIMATE CONTROL

FINAL ASSEMBLY PS6 UF
SUPPLY AIR PLENUM, 3-WAY DISCH., F/L/R
PART NAME 500-500-0106
SIZE DWG. NO. B SPS6UP
REV. SEE TABLE

SCALE: 1:12 SHEET 1 OF 1

CONFIDENTIAL: THE COPYRIGHT OF THIS DOCUMENT IS RESERVED BY CLIMATEWORX. THIS DOCUMENT IS ISSUED ON THE CONDITION THAT IT IS NOT COPIED, REPRODUCED OR DISCLOSED TO ANY OTHER PARTY WITHOUT WRITTEN CONSENT OF CLIMATEWORX.